



Micronet[®]
Faster and Easier Networks



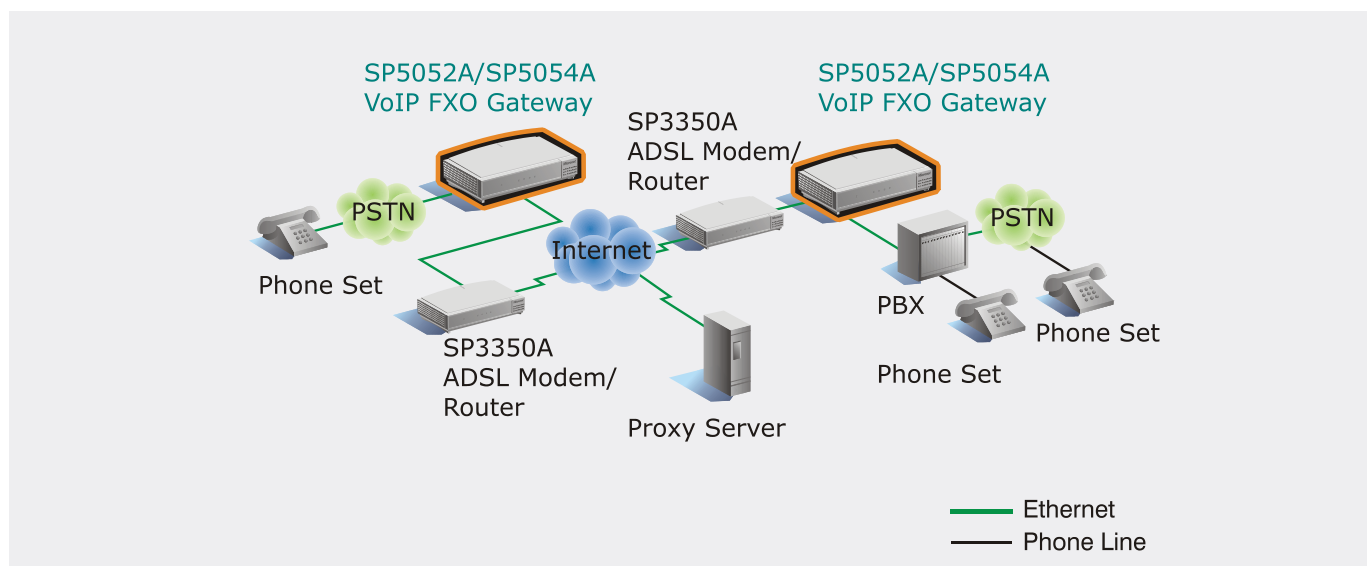
Micronet SP5054A,SP5054A/S

VoIP FXO Gateway

Micronet SP5054A VoIP Gateway that features superb audio quality, rich functionalities, and high-level integration. It provides 4 FXO ports, which interface with PSTN (Public Switched Telephone Network) or PBX (Private Branch eXchange). It is an ideal solution for office and home users to reduce international and long-distance phone call expense and have local charge only.

Key Features

- Compliant with ITU-T H323 or IETF SIP standards
- Provide 4 RJ-11 FXO ports for PSTN or PBX's extension
- Provide 2 10/100M RJ-45 ports
- Support G.711A/ μ -law, G.723.1, and G.729 codecs
- Transmit T.38 fax
- Support VAD, CNG and EC
- Support detection of power denial, polarity reversal and disconnect tone
- Support caller ID
- Support outbound proxy and *STUN for NAT traversal (Only SP5054A/S support)
- Support advanced IVR for PSTN subscriber to dial in
- Support static IP, DHCP and PPPoE
- Support QoS by setting ToS (Type of Service) parameters of VoIP packets



VoIP Gateway, 4 FXO Ports

SPECIFICATION

Model	SP5054A	SP5054A/S
Standard	ITU-T H323	IETF SIP
Interface	4 RJ-11 FXO ports for PSTN or PBX's extension 2 10/100M RJ-45 ports	
LED Indication	System : POWER, READY, STATUS Port : LINK/ACT, 10/100, LINE	
Voice	G.711A/ μ -law, G.723.1, and G.729 codecs VAD, CNG and EC Dynamic Jitter Buffer Bad Frame Interpolation	
DTMF	In-band RFC2833 H245 Alphanumeric H.245 Signaling q.931	In-band RFC2833 SIP Info
Telephony	Caller ID (BELLCORE / ETSI FSK/ DTMF) Call Transfer / Call Forward / Call Hold Phone address book	
FAX support	G3 Fax relay (2.4 - 14.4 kbps), ASN.1 T.38, T.38 ECM, T.38 FAX Redundancy Depth	
Networking	PPPoE dial-up DHCP client SNTP TFTP/FTP client for firmware upgrade	
NAT Traversal	outbound proxy *STUN (SP5054A/S ONLY)	
QoS	IP ToS	
Management	Web / Telnet / Console	
Environment	Operating temperature: 0-40 degree C Storage temperature: -20-70 degree C Operating Humidity: 10% to 90%	
Dimension & Weight	23cm x15cm x3.8cm (W xD xH), 360g	
Power Supply	12VDC, 1A	
Emission	CE	

* Will be available in later version

The product specifications are subject to change without prior notice

ORDERING INFORMATION

Model	Description
SP5052A	VoIP Gateway, 4FXO, H.323
SP5052A/S	VoIP Gateway, 4FXO, SIP

Manufacturer and Exporter

Spectrum Technologies Corp.

E-mail: sales@micronet.info; support@micronet.info Web: http://www.micronet.info



SP5054A VoIP Gateway, 4 FXO Ports

- ① Status Indicator
- ② RJ-45 LAN Port
- ③ RJ-11 FXO Port
- ④ Console Port
- ⑤ Power Jack

COMPANION PRODUCTS

Consider the following Micronet products as a factor in your network planning.

56K Modem

ADSL and Broadband

Internet Camera

ISDN TA / Router

KVM Switch

Media Converter

Mobile Communication

Network Interface Card

PCMCIA and Compact Flash

Powerline

Print Server

Switch and Hub/SOHO

Switch/Enterprise

USB Device Family

VDSL

VoIP Telephony

Wireless LAN

Wiring System

Copyright © 2006 Micronet Communications Inc. All technical information in this document is subject to change without prior notice. Micronet, EtherFast and MicroView are registered trademarks of Micronet Communications Inc. Microsoft, Windows, Windows 95, Windows 98, Windows NT, Windows 2000 are registered trademarks of Microsoft Corporation. Novell and Netware are registered trademarks of Novell Inc. All other trademarks and registered trademarks are properties of their respective holders.

Distributor:

